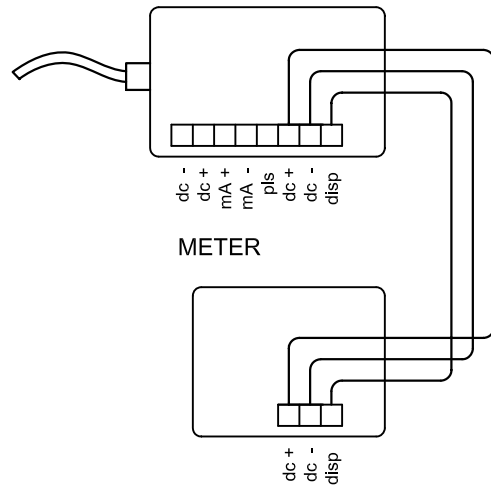
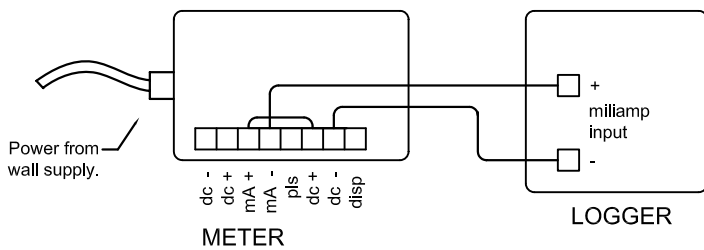


WIRING FOR ISOLATED MILLIAMP OUTPUT USING EXTERNAL SUPPLY

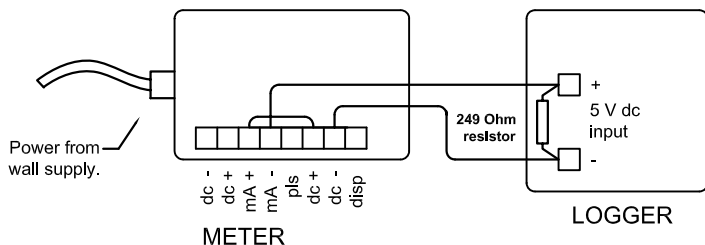


REMOTE DISPLAY

WIRING OF METER TO REMOTE DISPLAY



WIRING FOR MILLIAMP OUTPUT USING METER SUPPLY



WIRING FOR 1 - 5 V OUTPUT USING METER SUPPLY

WIRING THE METER

1. The meter may be powered from its own wall-plug supply or it may be powered from a 24 Volt dc supply wired to the supply terminals on the terminal strip.
2. The diagrams on the left show three ways of wiring the milliamp output. The first provides an isolated, externally-powered output; the second and third provide current and voltage outputs, respectively, powered from the meter.
3. The diagram above shows the wiring between the meter and the summing remote display. If the interconnecting cable is 22 gauge or larger and no longer than 60 feet, power may be connected either at the meter or at the display. Otherwise, it must be connected at the meter.
4. To prevent electromagnetic interference, cables should be shielded with the shields connected to the terminals marked dc-.