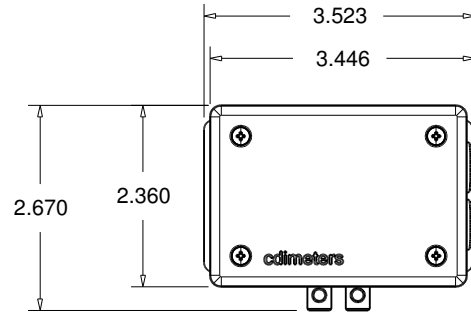


**MATERIALS:**

ELECTRONIC ENCLOSURE  
LID - POLYCARBONATE  
BASE - ABS + PC

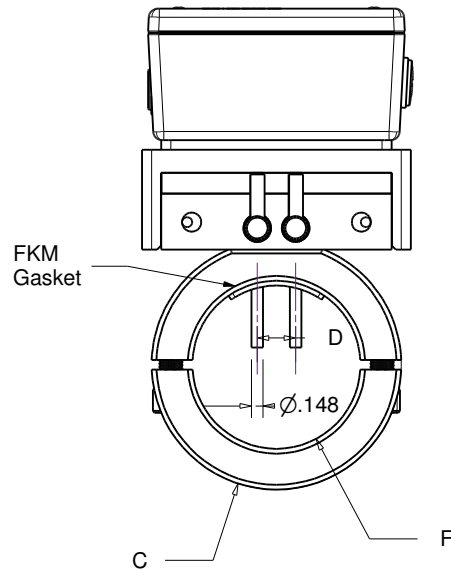
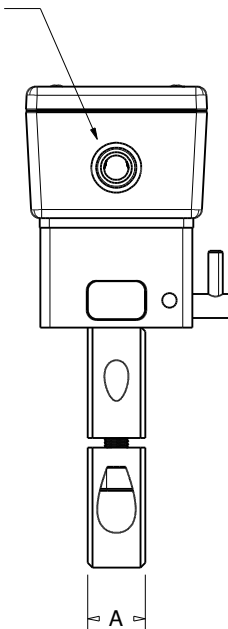
RINGS & BASE - ALUMINUM

PROBES - TYPE 304 STAINLESS, TIPS  
GOLD PLATED

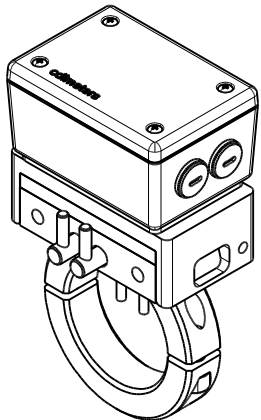
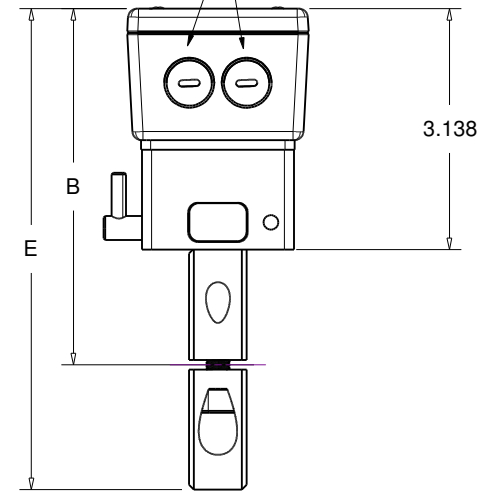


METER SIZE	A	B	C	D	E	F
50M	0.750	4.818	3.250	0.500	6.443	2.031
20C	0.750	4.818	3.250	0.500	6.443	2.188
20S	0.750	4.943	3.500	0.500	6.693	2.438
25C	0.875	5.193	4.000	0.500	7.193	2.688
25S	0.875	5.318	4.250	0.500	7.443	2.938
63M	0.875	5.068	3.750	0.500	6.943	2.500
76M	0.875	5.443	4.500	0.750	7.693	3.062
30C	0.875	5.443	4.500	0.750	7.693	3.187
30S	0.875	5.631	4.875	0.750	8.068	3.562
40C	0.875	5.943	5.500	0.750	8.693	4.187
101M	0.875	5.943	5.500	0.750	8.693	4.062
40S	0.875	6.131	5.875	0.750	9.068	4.562
50S	0.875	6.693	7.000	0.750	10.193	5.625
60C	0.875	6.943	7.500	0.750	10.693	6.218
60S	0.875	7.193	8.000	0.750	11.193	6.718
80S	0.875	8.193	10.000	0.750	13.193	6.718

0.330 GROMMET-LINED  
OPENING FOR POWER  
CONNECTION



TWO HOLES, 1/4" NPT  
WITH REMOVABLE PLUGS



**CDI 5450 REV 3 FLOWMETER  
SHOP DRAWING  
JANUARY 3, 2020  
CDI METERS, INC.**